

ASSEMBLY INSTRUCTIONS

A. Backrest x 1

B. Seat x 1

C. Armrests x 2

D. Salver x 1

E. Gaslift x 1

F. Base x 1

G. Wheels x 5

H. Headrest x 1

I. Metal frame x 1

J. Plastic shell x 1

K. Screws x 4 (M6 x 20)

L. Screws x 2 (M6 x 25)

M. Screws x 6 (M6 x 35)

N. Screws x 2 (M8 x 35)

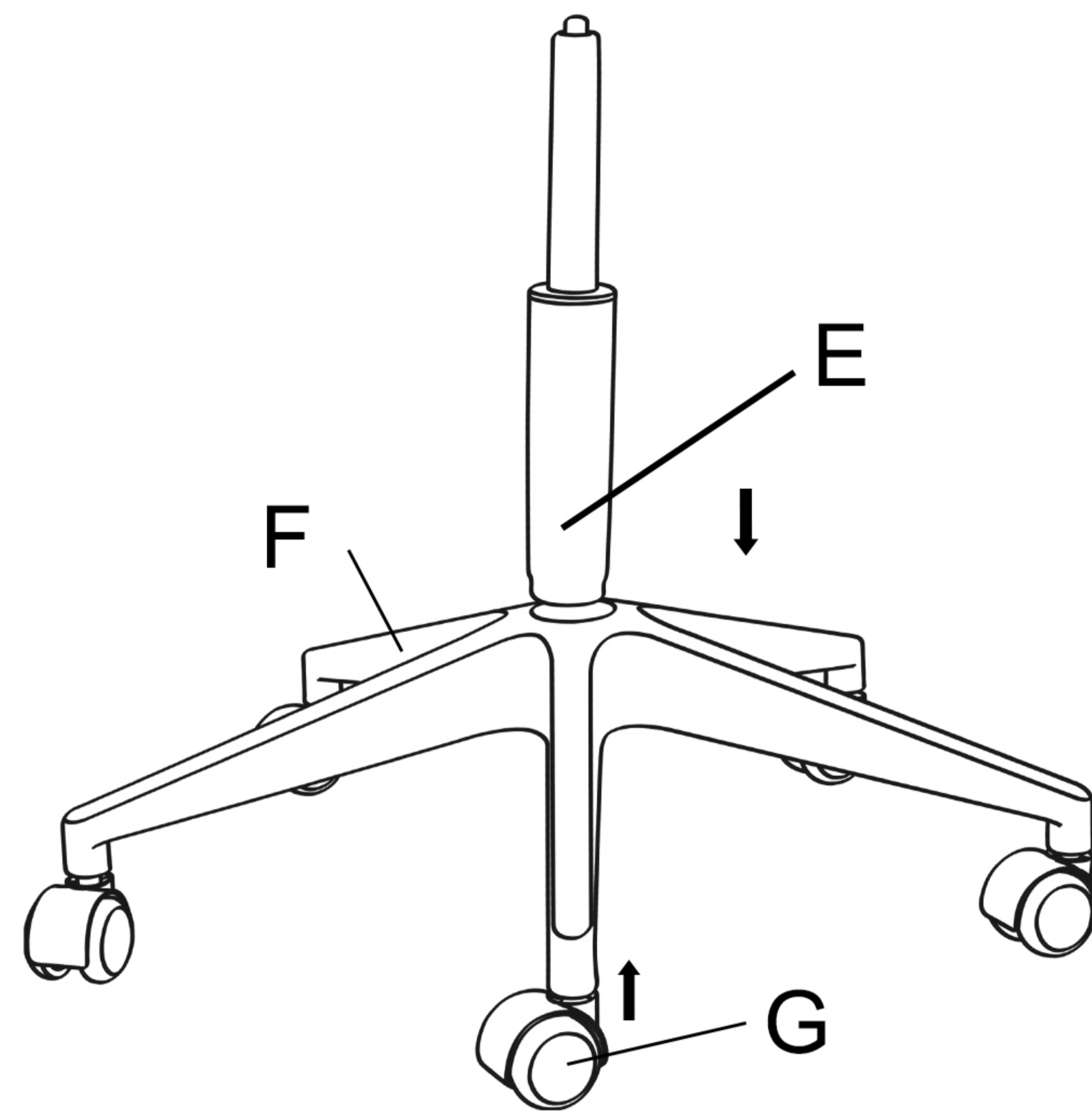
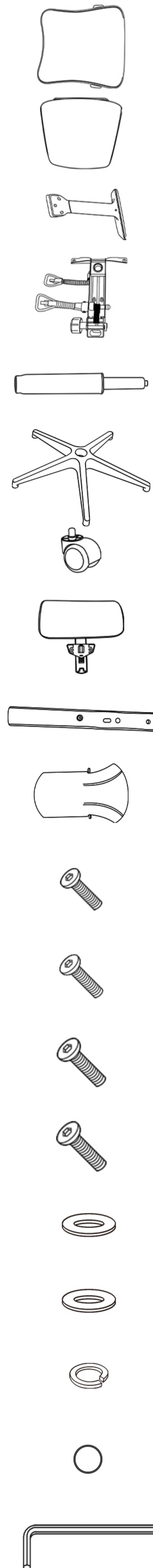
O. Flat washers x 4 (M6 x 16)

P. Flat washers x 8 (M8 x 14)

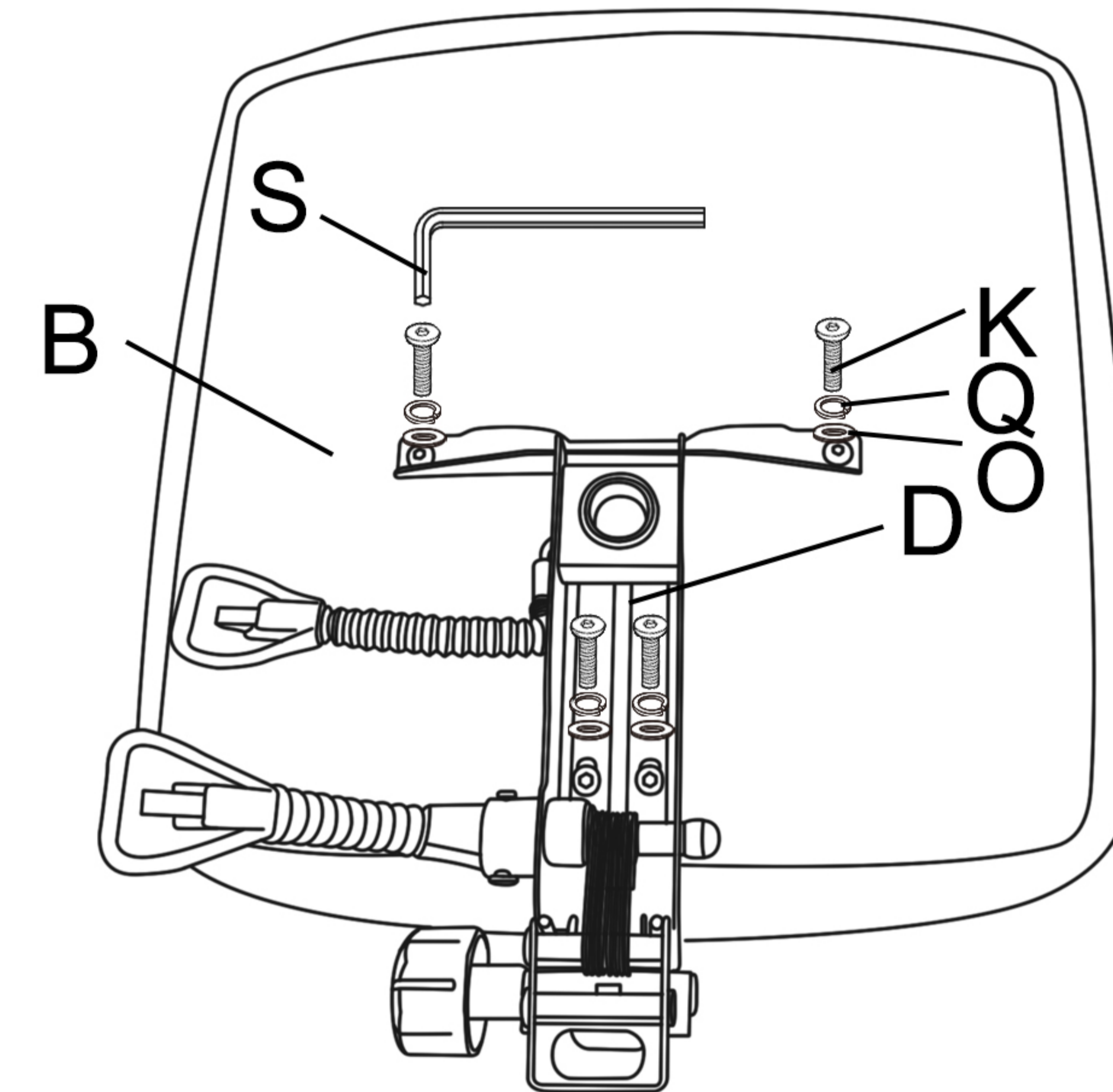
Q. Lock washers x 4 (M6 x 12)

R. Covers x 2

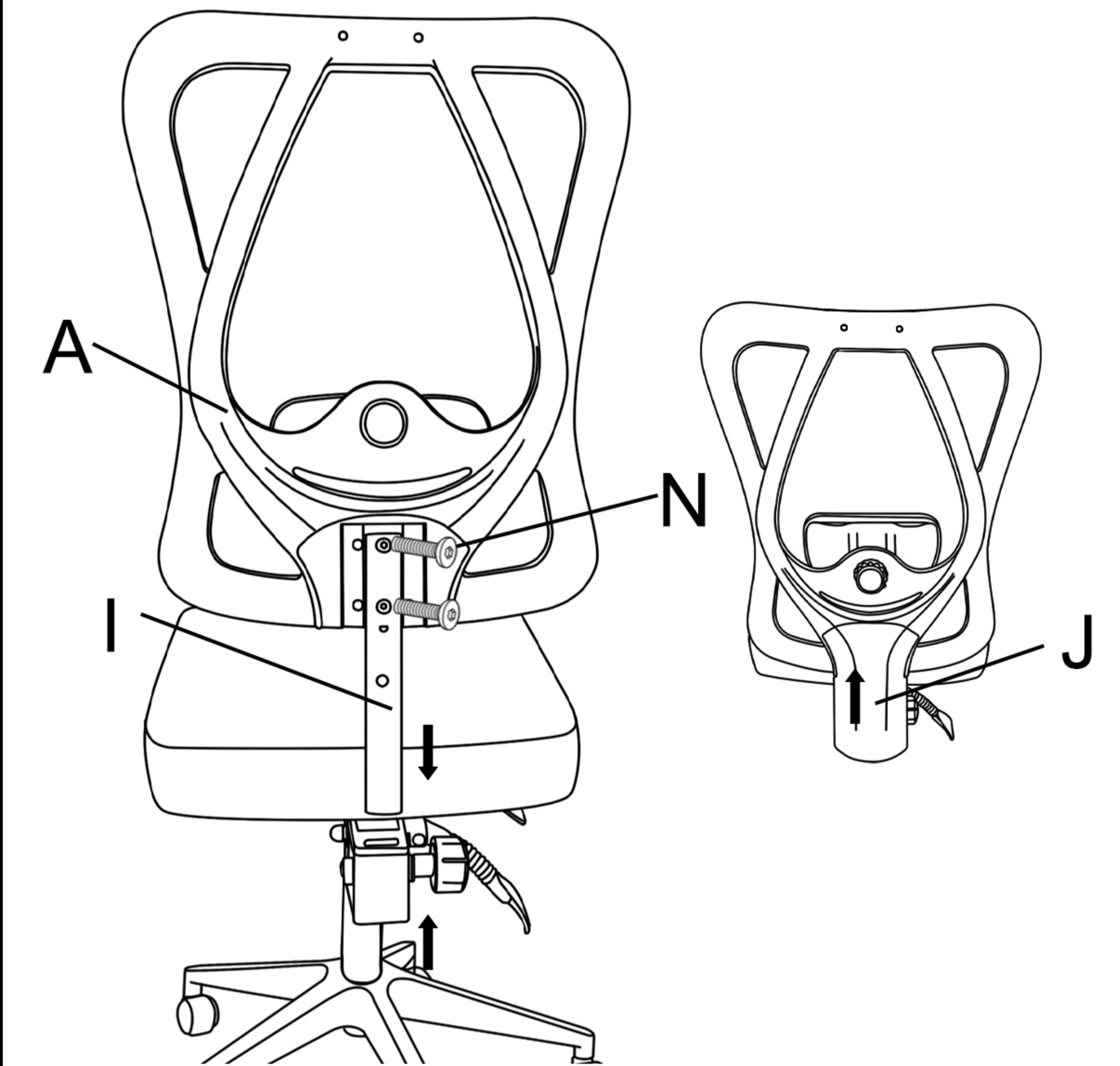
S. Hex key x 1



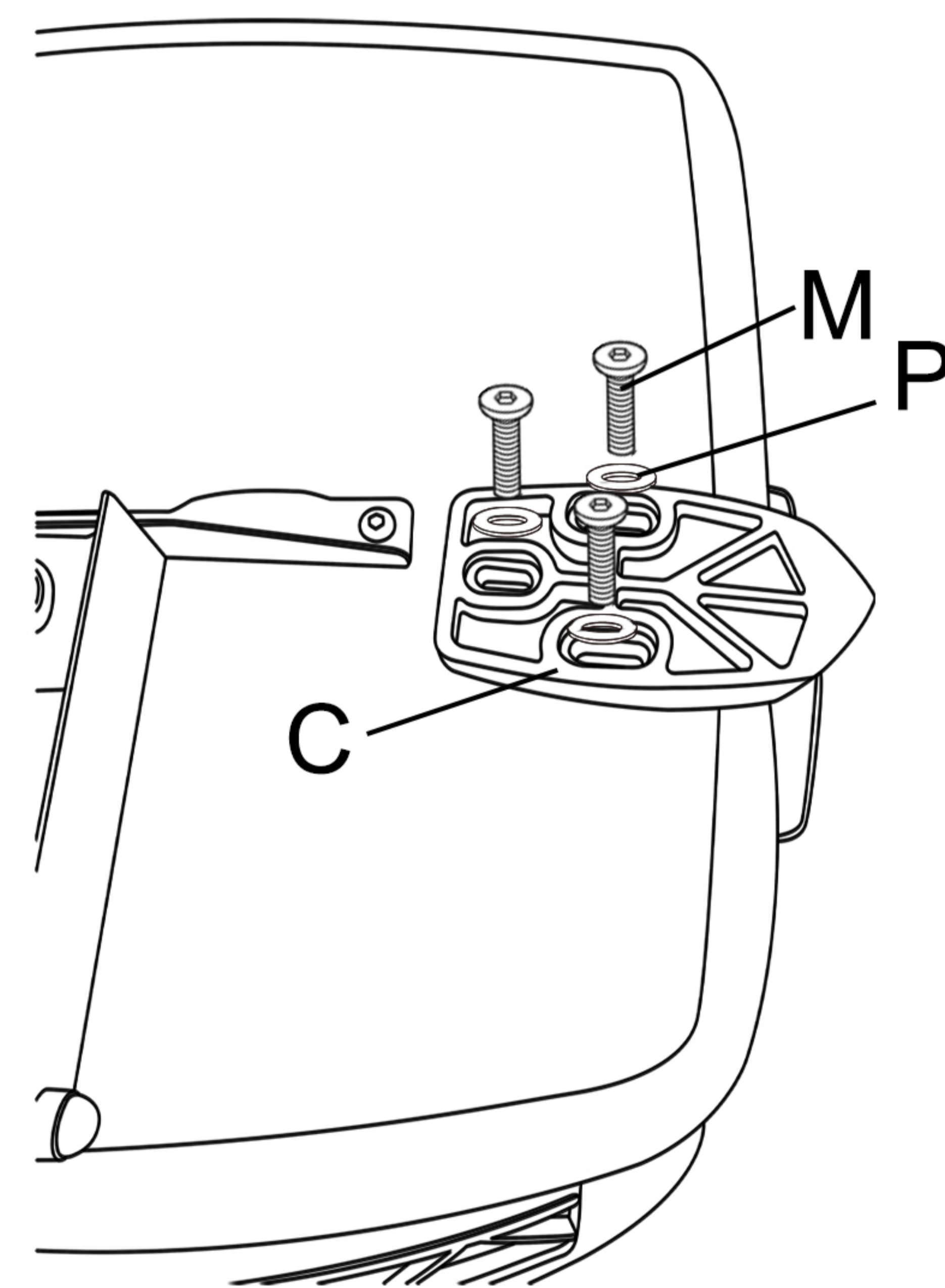
1



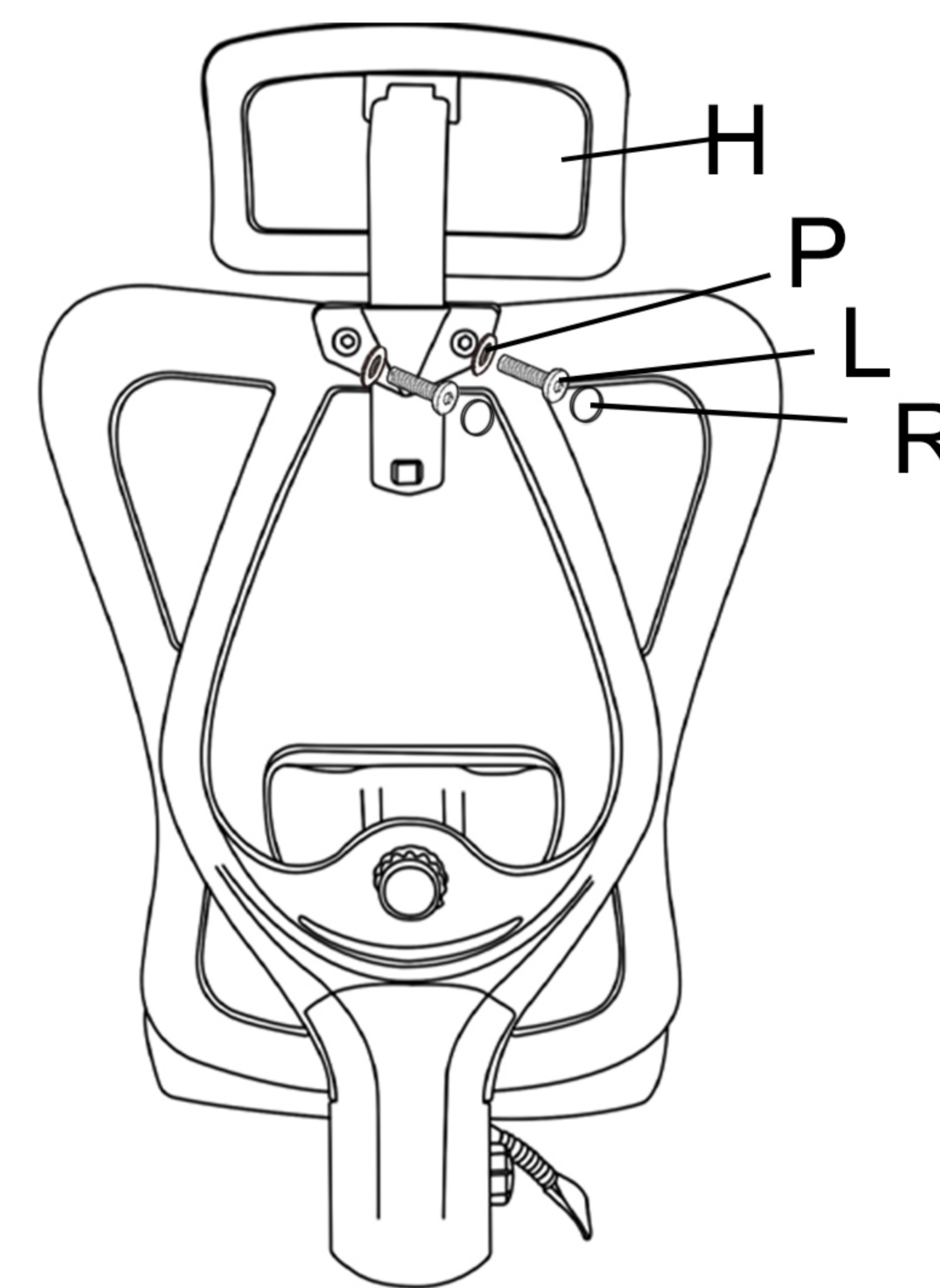
2



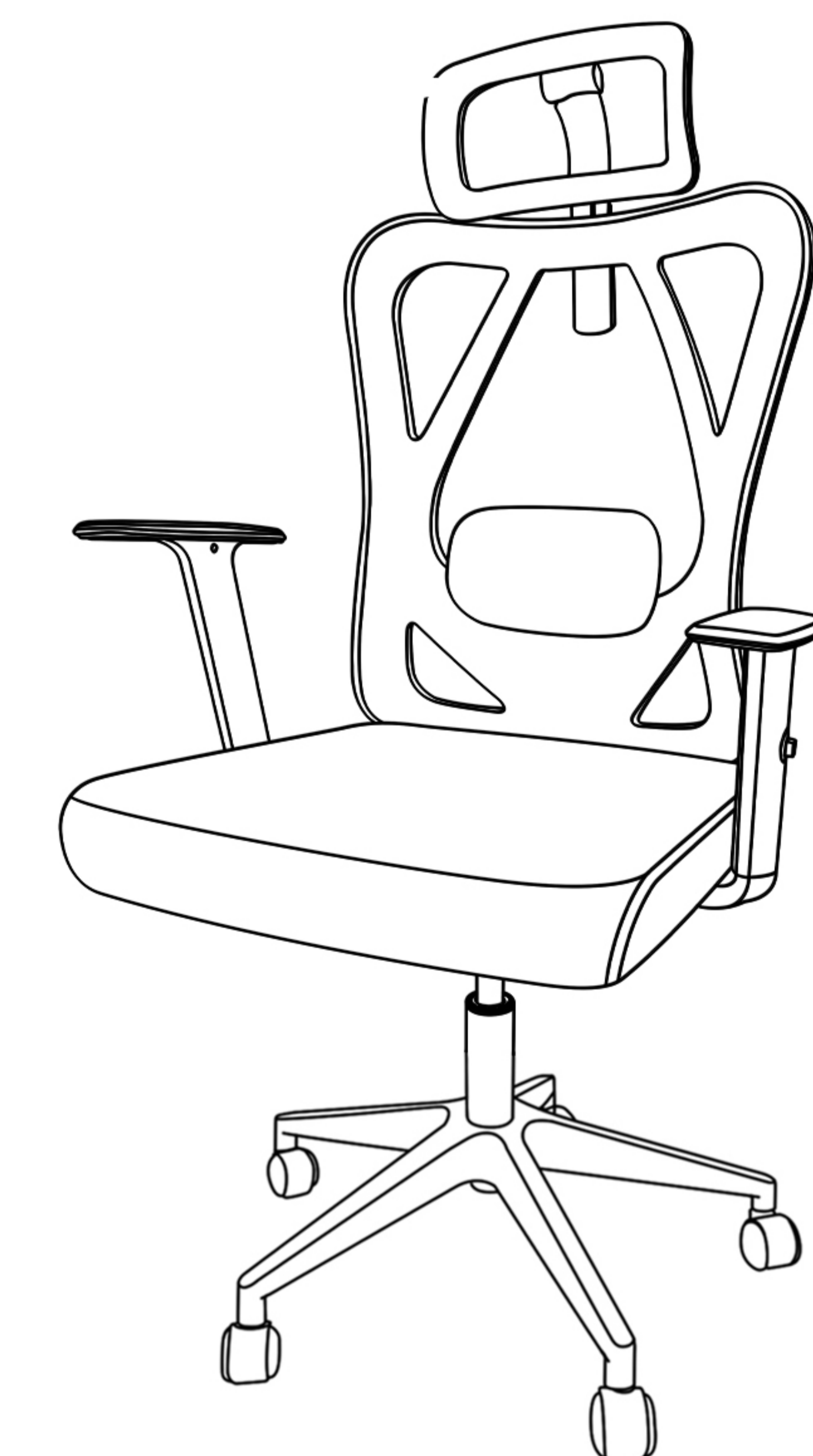
3



4



5



6

Remark: First fix screws lightly by hand and at the end of the assembly fasten the screws firmly with tools.